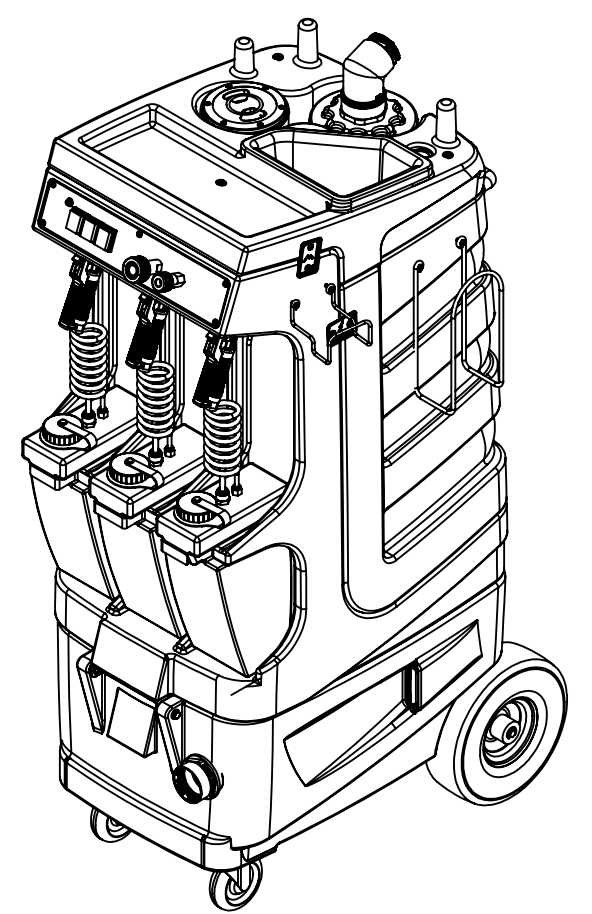


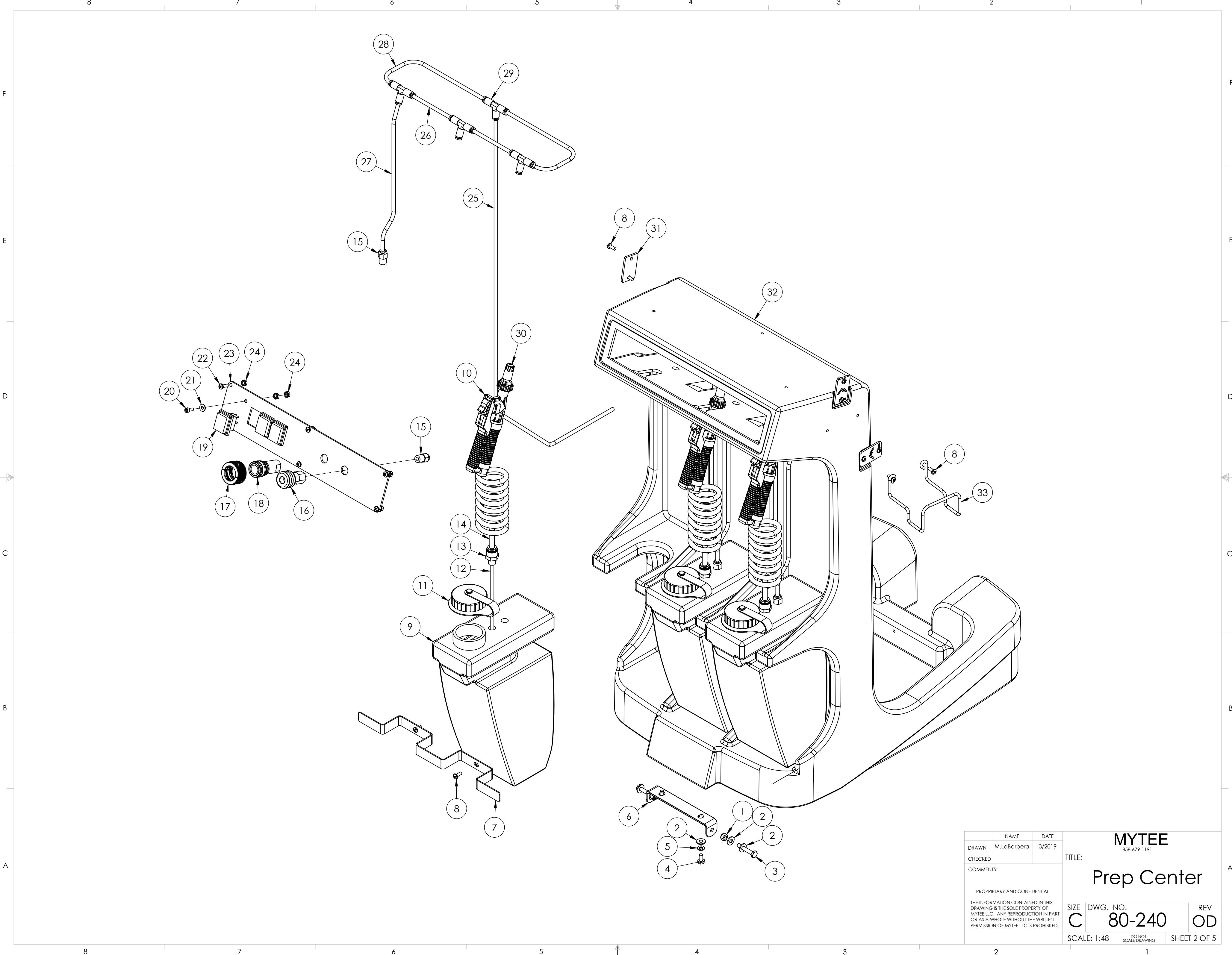
ITEM NO.	PART NO.	DESCRIPTION	QTY.
1	H216	nut, lock, 1/4-20, nylon insert, s/s	10
2	H210	washer, 1/4" flat, s/s	37
3	H316	bolt, 1/4-20 x 1-1/2" hex head, s/s	2
4	H201	bolt, 1/4-20 x 1/2" hex head, s/s	2
5	H213	washer, 1/4" lock, s/s	5
6	H378	bracket, front hinge, sp/fb	1
7	H626	strap, bottle, prep center	1
8	H230	screw, 10-32 x 1/2" phil pan head, s/s	35
9	PC13	bottle, 3 qt, natural	3
10	PC12	tool, fluid dispenser	3
11	G036	cap, 2.5" threaded, tethered	3
12	PH657-12	tubing, 1/4", nylon, blk	3
13	B201	fitting, plastic 3/8" push in	3
14	PC-07	sol hose, black coil	3
15	B166	fitting, brass, 1/4"mpt x 1/4" push-in	6
16	B190	qd, brass, 1/4" female, pneumatic	1
17	P590	heat guard, 1/4" qd, standard	2
18	B102	quick disconnect, 1/4" fqd x 1/4" fpt	1
19	E515	switch, rocker, 2 position	3
20	H389	screw, 10-32 x 1/2" SHCS, alloy	1
21	H289	washer, 10 flat, s/s	1
22	H677	screw, #10 x 5/8", phil pan, s/s	6
23	H454	switch plate, prep center	1
24	H273	nut, kep, #10-32 zinc	22
25	PH657-60	tubing, 1/4", nylon, blk	1
26	PH657-5	tubing, 1/4", nylon, blk	2
27	PH657-21	tubing, 1/4", nylon, blk	3
28	PH657-14	tubing, 1/4", nylon, blk	1
29	B178	tee, brass, 1/4", push-in	4
30	PC12A	jet, dispenser tool	3
31	H312	plate, connecting, MyteeLite	4
32	P651	blue housing, Prep Center	1
33	H547	hanger, wire for injection sprayer	1
34	G068	bumper, 7/8" x 1/4" head	2
35	H221	nut, lock, 1/2" steel, electrical	1
36	H220	fitting, strain relief, cord	1
37	E531	power cord, end, 25', 12/3 black	1
38	H212	flat washer, 9/16"ID x 1 1/16"OD, AN960-C916	4
39	B191	qd, brass, 1/4" male, pneumatic	1
40	H486	latch, front, set, large	2
41	H232	axle, 18.80" x .50"	1
42	H109	wheel, 10", foam filled	2
43	H042	c-clip, 12mm, external	2
44	H254	washer, axle, cut 1/2" id	8
45	P514	vent, side, LTD	2
46	H668	caster, 4", black hub & gray tread	2
47	H342	bolt, 1/4-20 x 1" hex head, s/s	8
48	H124V	Cuff-Lynx, 2" fem cuff x 2" male thread starter cuff, vinyl	1
49	H314	nut, lock, 1-1/2", steel	2
50	P511	LX series base	1
51	B142	coupling, 1/4" fpt x 1/4" fpt	1
52	H968	regulator, 0-60 psi, detail machine	1
53	B135	tee, 1/4" mpt x 1/4" mpt x 1/4" mpt	1
54	B111	adapter, brass, extender, 1/4" mpt x 1/4" fpt, hex	1
55	PH657-17	tubing, 1/4", nylon, blk	1
56	H528	bracket, heater mounting, dual	1
57	SH912	heater, 1200wt, 115v	1
58	P647	black top lid, Prep Center	1
59	H222	screw, 10-32 x 1-1/4" phil pan head, s/s	7
60	H629	screw, 10-32 x 3-1/2" phil pan head, s/s	2
61	H178	faucet fill	1
62	PH612-55	clear tubing, 1/2" OD x 3/8" ID, faucet fill	1

ITEM NO.	PART NO.	DESCRIPTION	QTY.
63	C306	pump, 120 psi, 230V	1
64	B105	bushing, brass, 3/8"mpt x 1/4"	1
65	B130	45 deg, street elbow, brass, 1/4" male NPTF	1
66	PH615-3.5	sol hose, 1/2" kuri 100psi	1
67	H347	clamp, hose, 5/16-29/32	2
68	B160	adapter, brass, 1/2" barb x 3/8" fsw, ball end	1
69	B172	elbow, brass, 90 deg, 1/2" barb x 3/8"mpt	1
70	H375	hanger, wire formed, hose	2
71	H561	jet bracket, ECO-17	5
72	H770	bolt, 1/4-20 x 1/2" serrated hex flange, zinc	7
73	B107	nipple, hex, 1/4"mpt x 1/4"mpt	1
74	B207	elbow, brass, 90 deg, 1/4" fpt x 1/4" fpt	1
75	B186	elbow, 90 deg street, 3/8"mpt x 3/8" fmpt	1
76	H299	washer, 11/16" id x 1-1/2" od x .075, s/s	3
77	B216	nipple, brass, 3/8" x close	1
78	P646	blue sol tank, Prep Center	1
79	B210	bushing, brass, 1/2"mpt x 3/8" fpt, hex	1
80	H333	filter, mesh, auto dump, 1/2" npt	1
81	P520	adapter, 1.5" mpt pvc	1
82	PH633-13	pipe, pvc, 1-1/2"	1
83	P502	adapter, 1.5" pvc, fslip x fslip	1
84	G097	filter, screen mesh, 1.90" dia	1
85	G003	filter, foam, 2", vac stack, 1/2"	1
86	PH633-1	pipe, pvc, 1-1/2"	1
87	H155	screw, #8 x 5/8", 18-8 phil pan, s/s	6
88	G030	lid, vac tank, 3.5", clear	1
89	G084	gasket, 4.55" x 5.5"	1
90	P729	vacuum sight tube w/ 2" fw mpt Cuff-Lynx	1
91	P561	cap, 6", threaded, w/ 2" npt	1
92	G031	gasket, 3.25" i.d. x 5.80" o.d.	1
93	H359A	bag, mesh, filter, w/stainless steel, ring, F200	1
94	H485	handle, aluminum grip, black	2
95	G052	washer, buna 1-1/8" od x 3/16" id	4
96	H211	washer, 1/4" id x 1" od, flat, s/s	4
97	H768	bolt, 1/4-20 x 3/4" serrated hex flange, zinc	4
98	P645	blue vac tank, Prep Center	1
99	H225	valve, drain, 1-1/2"	1
100	G004	gasket, vacuum motor	1
101	H217	clamp, hose, 2-1/4 dia	2
102	PH628-9	vac hose, 2", black, wire reinforced	1
103	C304LA	vac motor, 3 stage, low amp, 240V, 110"	1
104	H096	bolt, hex, 1/4-20 x 4", zinc Finish	3
105	H503	vac support, 3 stage, 3.25", no thrds	3

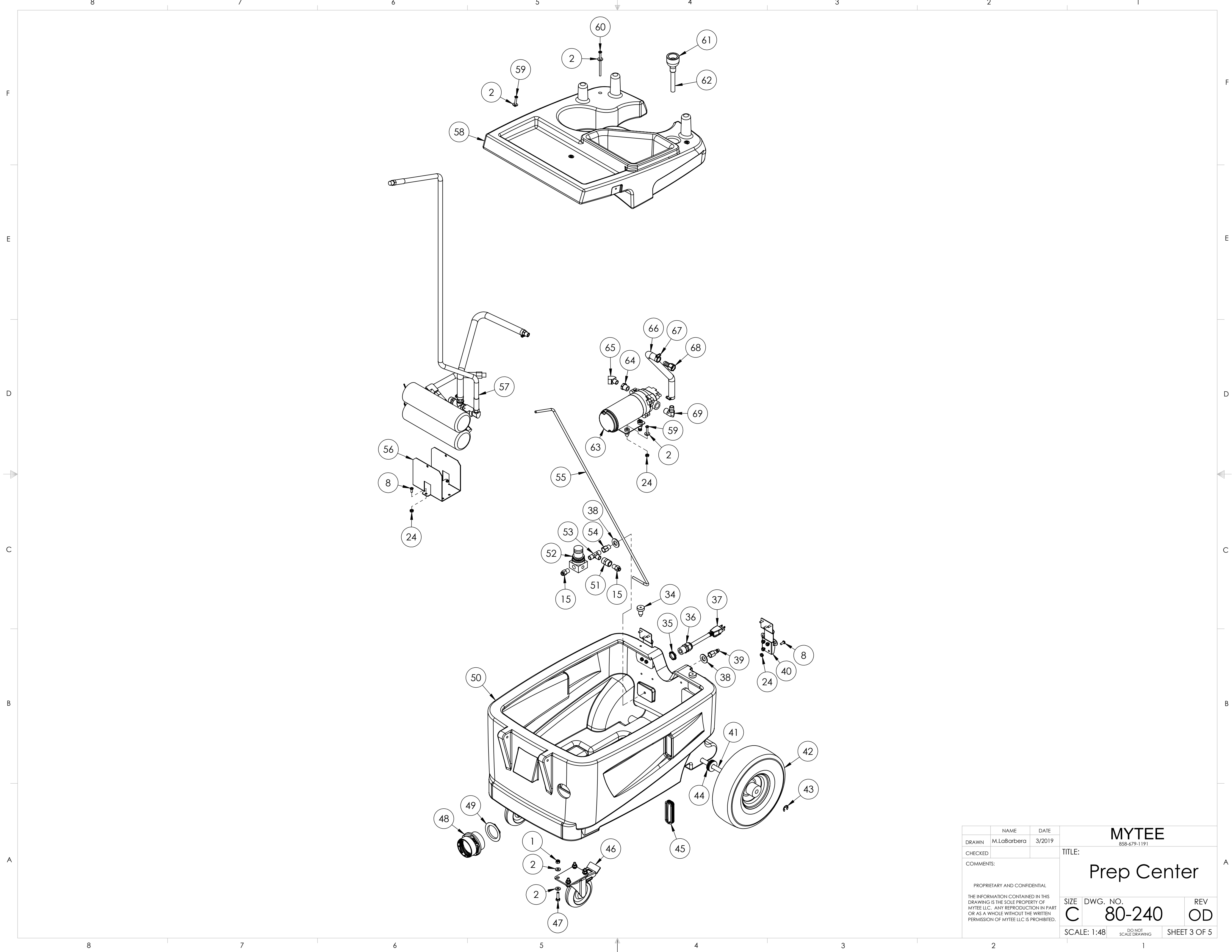
REVISIONS			
REV.	DESCRIPTION	DATE	APPROVED
OD	ORIGINAL DRAFT		JFL



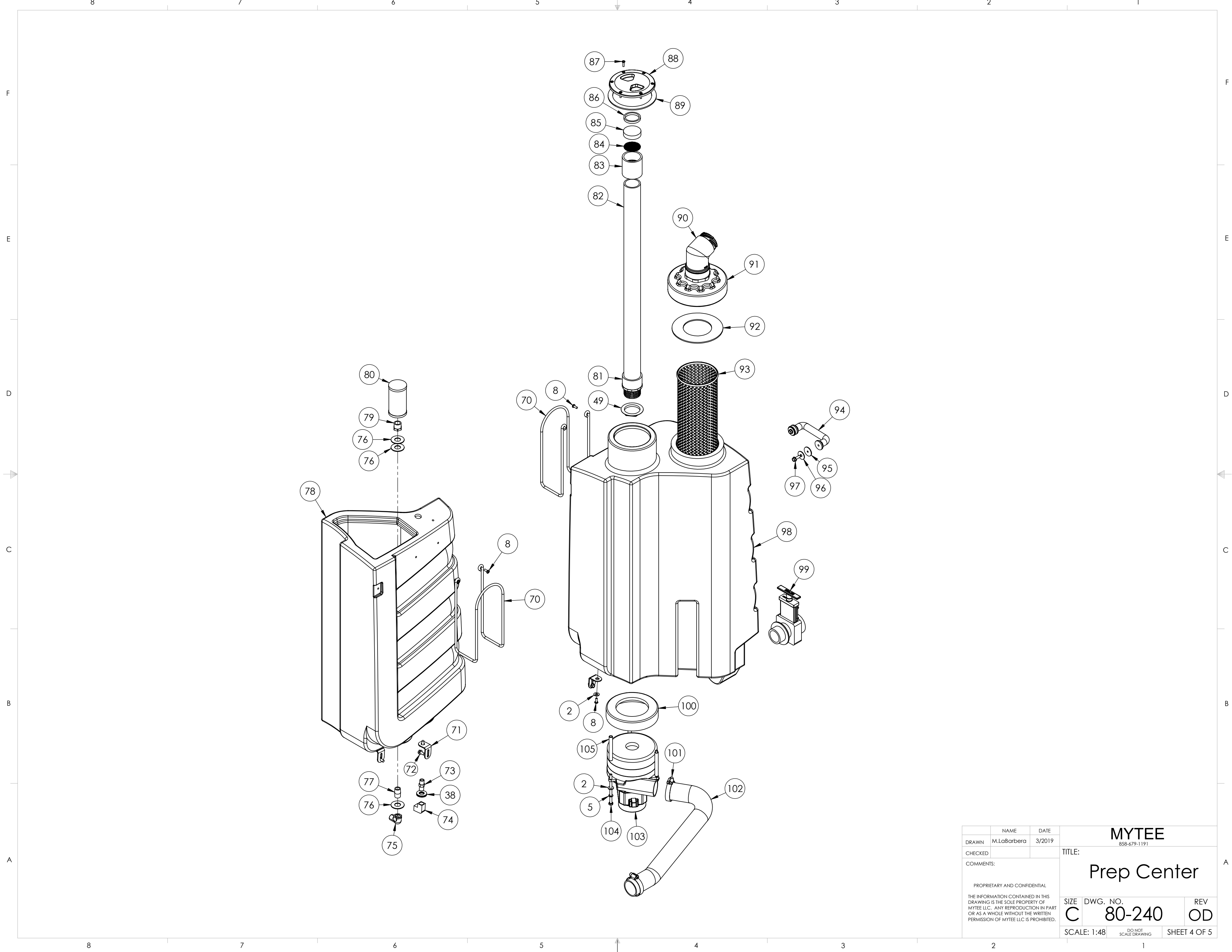
NAME	DATE	MYTEE	
M.LaBarbera	3/2019	858-679-1191	
CHECKED		TITLE:	
COMMENTS:		Prep Center	
<small>PROPRIETARY AND CONFIDENTIAL THE INFORMATION CONTAINED IN THIS DRAWING IS THE SOLE PROPERTY OF MYTEE LLC. ANY REPRODUCTION IN PART OR AS A WHOLE WITHOUT THE WRITTEN PERMISSION OF MYTEE LLC IS PROHIBITED.</small>			
SIZE	DWG. NO.	REV	
C	80-240	OD	
SCALE: 1:48	DO NOT SCALE DRAWING	SHEET 1 OF 5	



	NAME	DATE	MYTEE 858-679-1191		
DRAWN	M.LaBarbera	3/2019			
CHECKED			TITLE:		
COMMENTS:			Prep Center		
<small>PROPRIETARY AND CONFIDENTIAL THE INFORMATION CONTAINED IN THIS DRAWING IS THE SOLE PROPERTY OF MYTEE LLC. ANY REPRODUCTION IN PART OR AS A WHOLE WITHOUT THE WRITTEN PERMISSION OF MYTEE LLC IS PROHIBITED.</small>			SIZE	DWG. NO.	REV
			C	80-240	OD
			SCALE: 1:48	<small>DO NOT SCALE DRAWING</small>	SHEET 2 OF 5



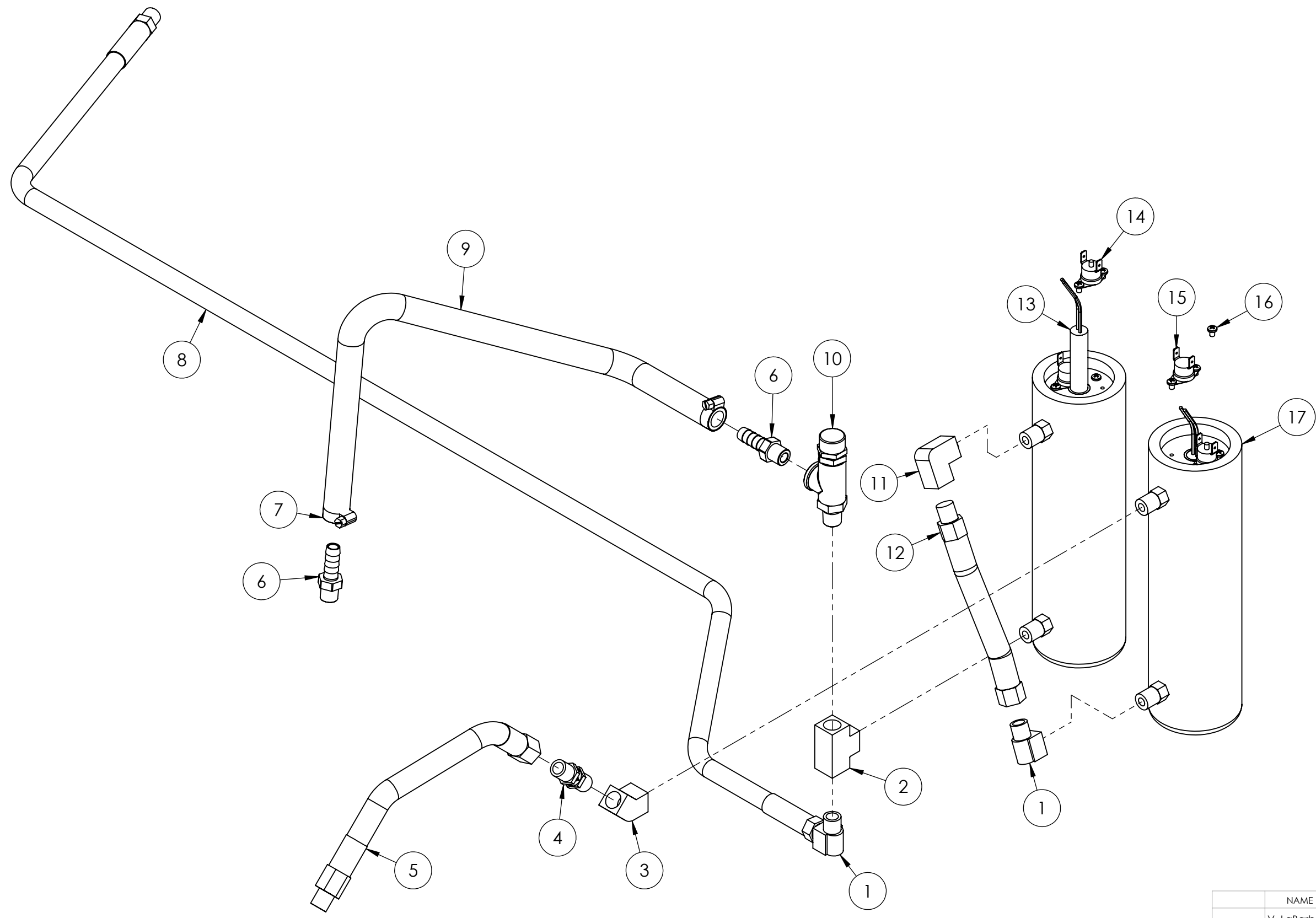
	NAME	DATE	MYTEE 858-679-1191		
DRAWN	M.LaBarbera	3/2019			
CHECKED			TITLE:		
COMMENTS:			Prep Center		
<small>PROPRIETARY AND CONFIDENTIAL THE INFORMATION CONTAINED IN THIS DRAWING IS THE SOLE PROPERTY OF MYTEE LLC. ANY REPRODUCTION IN PART OR AS A WHOLE WITHOUT THE WRITTEN PERMISSION OF MYTEE LLC IS PROHIBITED.</small>			SIZE	DWG. NO.	REV
			C	80-240	OD
			SCALE: 1:48	DO NOT SCALE DRAWING	SHEET 3 OF 5



	NAME	DATE	MYTEE	
DRAWN	M.LaBarbera	3/2019	858-679-1191	
CHECKED			TITLE:	
COMMENTS:			Prep Center	
<small>PROPRIETARY AND CONFIDENTIAL THE INFORMATION CONTAINED IN THIS DRAWING IS THE SOLE PROPERTY OF MYTEE LLC. ANY REPRODUCTION IN PART OR AS A WHOLE WITHOUT THE WRITTEN PERMISSION OF MYTEE LLC IS PROHIBITED.</small>			SIZE	DWG. NO.
			C	80-240
			SCALE: 1:48	REV
			DO NOT SCALE DRAWING	OD
			SHEET 4 OF 5	

ITEM NO.	PART NO.	DESCRIPTION	QTY.
1	B103	elbow, 90 deg street, 1/4"mpt x 1/4" fpt	2
2	B113	tee, 1/4" fpt x 1/4" fpt x 1/4" fpt	1
3	B648	elbow, brass, 45 deg, 1/4" fpt x 1/4" fpt	1
4	B108	valve, brass, 1/4" check	1
5	AH184	sol hose, pulse, 3/8" x 14.5", 1/4 fsw x 1/4 fpt	1
6	B241	adapter, brass, 3/8" barb x 1/4"mpt	2
7	H347	clamp, hose, 5/16-29/32	2
8	AH195	sol hose, 57" x 1/4", (OAL), m	1
9	PH615-3.5	sol hose, 1/2" kuri 100psi	1
10	B541	valve, relief, 250 psi	1
11	B207	elbow, brass, 90 deg, 1/4" fpt x 1/4" fpt	1
12	AH156	sol hose, 1/4" x 6.5", 1/4 msw x 1/4 fpt	1
13	E572	heating rod, 600W, 230V	2
14	E574	Thermostat, 310°F ± 10°F, Manual, 1/4"	2
15	E573	Thermostat, 200°, Auto, 1/4"	2
16	H274	screw, 6 x 3/16, phil pan head, self-tapping	10
17	H903A	heater, aluminum cast, single	2

REVISIONS			
REV.	DESCRIPTION	DATE	APPROVED
OD	ORIGINAL DRAFT	7/2021	JFL



	NAME	DATE	MYTEE	
DRAWN	V. LaBarbera	2/26/10	858-679-1191	
CHECKED			TITLE:	
COMMENTS:			heater, 1200wt, 115v	
<small>PROPRIETARY AND CONFIDENTIAL THE INFORMATION CONTAINED IN THIS DRAWING IS THE SOLE PROPERTY OF MYTEE LLC. ANY REPRODUCTION IN PART OR AS A WHOLE WITHOUT THE WRITTEN PERMISSION OF MYTEE LLC IS PROHIBITED.</small>		SIZE	DWG. NO.	REV
		C	80-240	OD
		SCALE: 1:8	DO NOT SCALE DRAWING	SHEET 5 OF 5